



Structural Analysis & Design Software

www.dlubal.com

RFEM 6 for Students



Dipl.-Ing. Juliane Stopper-Akdag

Organizer

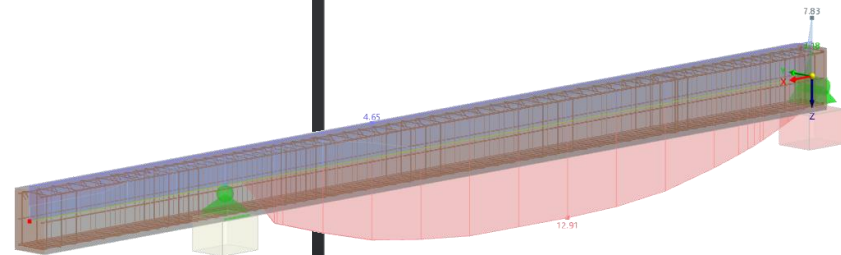
Product Engineering & Customer Support
Dlubal Software GmbH



Dipl.-Ing. Walter Fröhlich

Co - Organizer

Product Engineering & Customer Support
Dlubal Software GmbH



Questions During the Presentation



GoToWebinar Control Panel
Desktop



Show or hide control panel



File View Help

Audio

Sound Check [Progress Bar] ?

Computer audio
 Phone call

MUTED

Mikrofon (2- Sennheiser USB h...)

[Volume Slider]

Lautsprecher (2- Sennheiser U...)

Questions

[Enter a question for staff]

Send

Webinar ID: 373-901-987

GoToWebinar



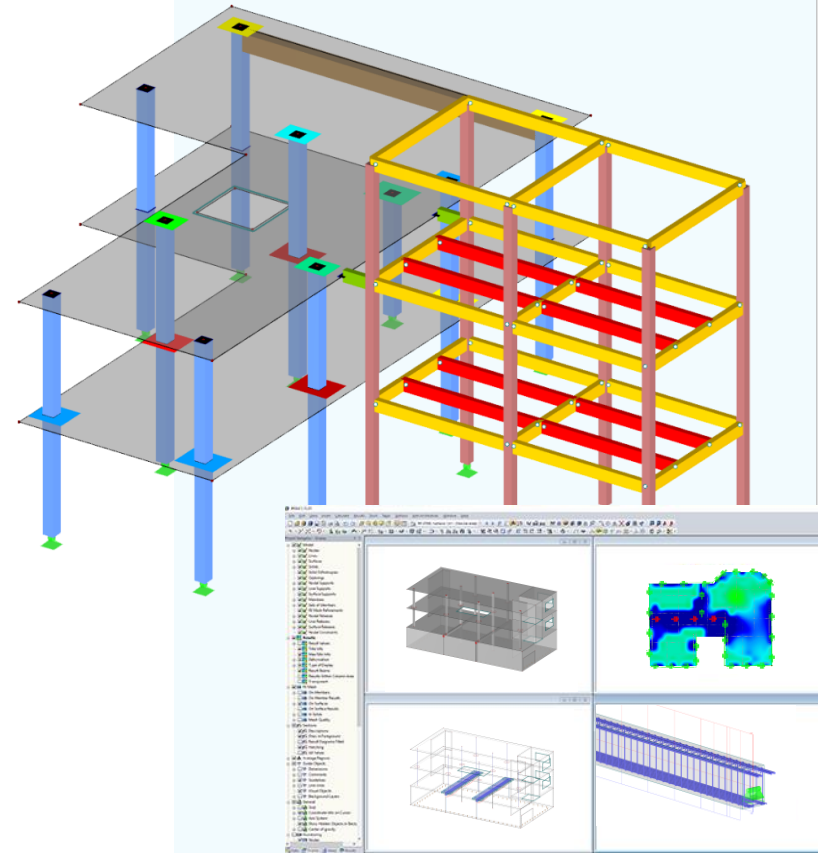
Adjust audio settings

Ask questions



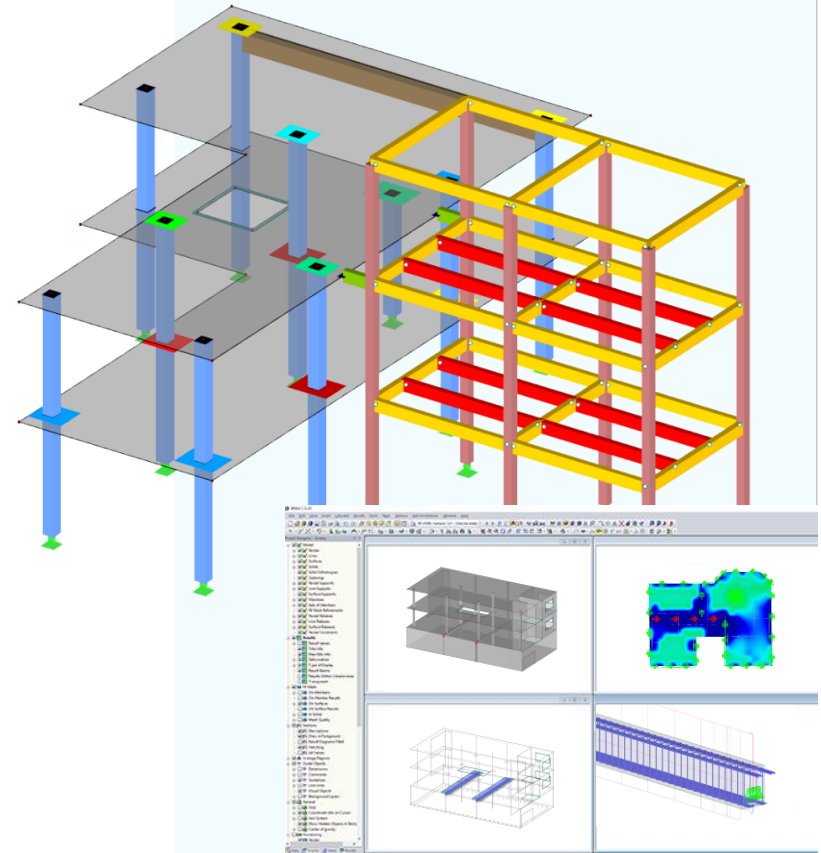
Training Series

- 01 Introduction to Member Design
- 02 Introduction to Strength of Materials
- 03 Introduction to FEM / FEA
- 04 Steel Design
- 05 Concrete Design
- 06 Timber Design



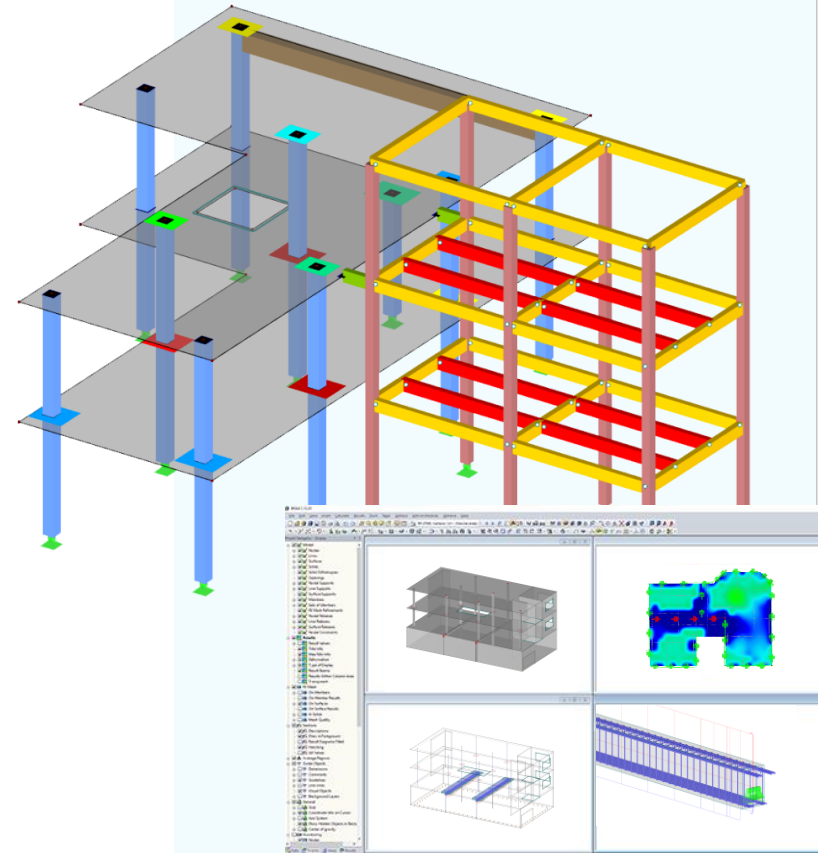
Training Series

- 01 Introduction to Member Design
- 02 Introduction to Strength of Materials
- 03 Introduction to FEM / FEA
- 04 Steel Design
- 05 Concrete Design
- 06 Timber Design



Content

- 01 Introductory Example: Concrete Beam
- 02 Design of a Concrete Slab



Reinforced concrete slab

Slab:

$t = 24 \text{ cm}$, C 30/37

Walls:

$t = 24 \text{ cm}$, C 25/30

L-Beams:

$24 \times 45 \text{ cm}$, C 30/37

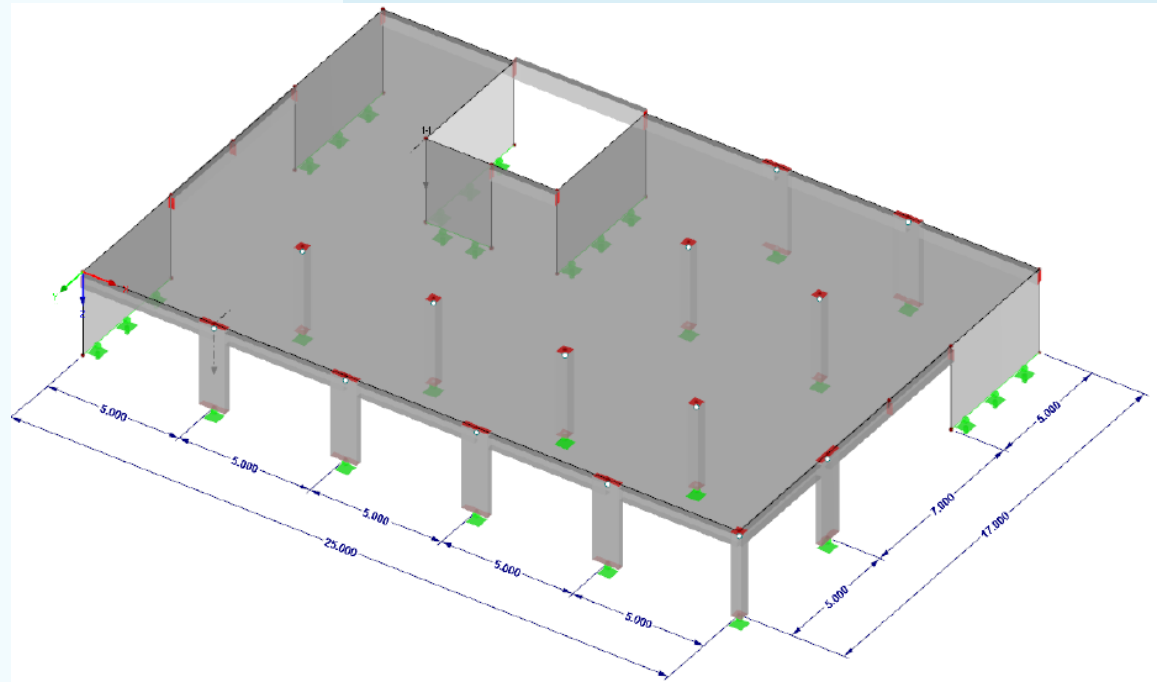
Columns:

$40 \times 40 \text{ cm}$, C 25/30

$100 \times 25 \text{ cm}$, C 25/30

Load Case 1 – Self-weight

Load Case 2 – Live Load of 3 kN/m^2





Recommended Links

- **Tutorial – Concrete Design**

<https://www.dlubal.com/en/downloads-and-information/documents/online-manuals/rfem-6-tutorial-concrete-design>

- **Webinar**

<https://www.dlubal.com/en/support-and-learning/learning/webinars/002636>

<https://www.dlubal.com/en/support-and-learning/learning/webinars/002472>

- **Previous Training - RFEM 6 for Students**

<https://www.dlubal.com/en/support-and-learning/learning/videos/003442>

